



## Switchgear type RKS5-2/4U for rated voltage 500V



Switchgear type RKS5-2/4U is an electrical device designed for use in the underground mining pits in non-explosive conditions and on the ground.

Switchgear type RKS5-2/4U is designed for connecting and switching on receivers (especially fans, welding machines or self-propelled machines) in the 3-phase mine grid with insulated star point on the transformer (system IT) of rated grid voltage of 500V.

Switchgear type RKS5-2/4U is equipped with power protections against short-circuiting, overloading, lowering insulation resistance and an grounding integrity control unit.

### TECHNICAL DATA:

ingress protection	IP54
insulation rated voltage of main circuits	660 V
insulation rated voltage of auxiliary circuits	250 V
supply rated voltage	500V, 50 Hz
maximum outlet load current	acc. to table 1
number of 500 V outlets	2
weight	60 kg
dimensions	1400 x 700 x 370mm (height x width x depth)

Table 1

Switchgear type	Maximum outlet rated current [A]		Rated current of clamps from the supply side (Inz) [A]
	Outlets		
	I	II	
RKS5-2/4U	125(63)	125(63)	400

Note:

Load drains of the outlets can be adapted to the power of the receivers on request, however they can't exceed the values in table 1.

## CONSTRUCTION

The switchgear housing is made of steel sheets. The whole unit is based on common support frame. The housing is equipped with brackets that allow for the switchgear to be hung on a chain or to be placed directly on the ground.

## MODE OF OPERATION

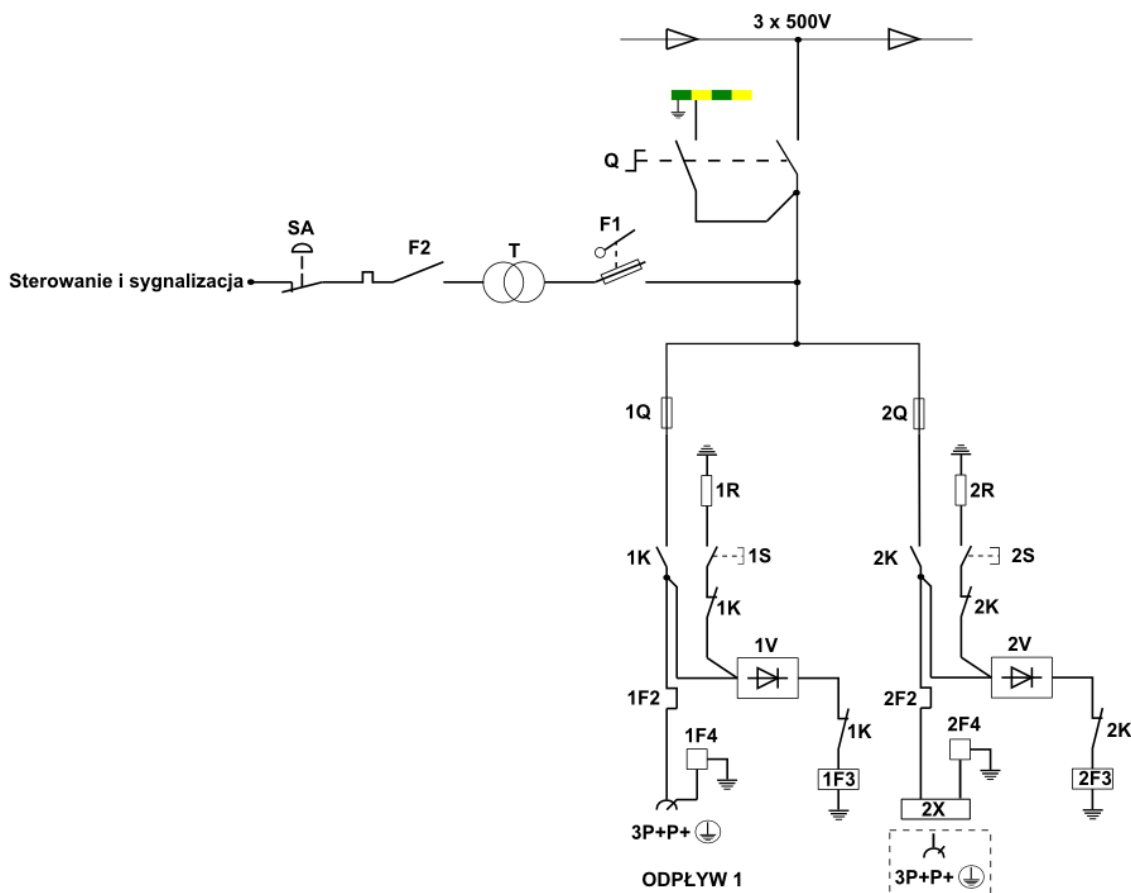
In the main 3x500V circuit the switchgear is equipped with a three-position switch: on-off-grounded. In the "grounded" position the clamps of fuses on the outlet are grounded.

## SCHEMATIC DIAGRAM

### Legend:

Sterowanie i sygnalizacja - control and signalling  
 Opcja gniazdo – optional socket  
 Odpyły I, II – outlet I,II  
 Q – disconnector

1Q,2Q - fuses  
 1K,2K - contactors  
 1F2, 2F2 - overload protections  
 1F3, 2F3 - lowering insulation protection



Orders should be submitted in writing or by fax to the address:

 **Instal-Service PL**

Spółka z ograniczoną odpowiedzialnością  
 Spółka komandytowa

58-506 Jelenia Góra, ul. Wrocławska 15a  
 tel. (+48 075) 64-57-950  
 fax. (+48 075) 64-57-951  
 e-mail: instal@instal-service.pl